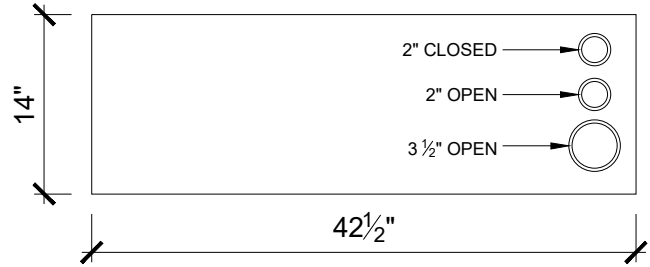


CENTER CABINET

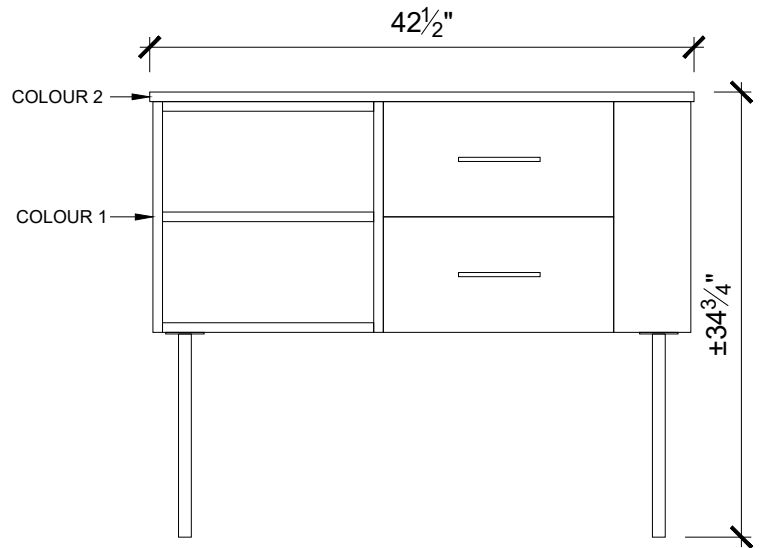
CODE	ST1
DEPTH	14"
WIDTH	24 1/2"
HEIGHT	±34 3/4"
MATERIAL	MDF/LAMINATE
HARDWARE	SOFT CLOSE SLIDES 3 TOOL HOLDER GROMMETS 4 BLACK METAL LEGS
ASSEMBLY	SOME REQUIRED



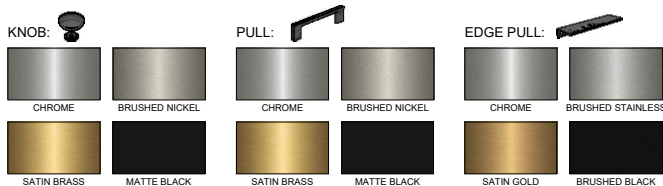
1. MAIN FINISH OPTIONS



2. ACCENT FINISH OPTIONS



DECORATIVE HARDWARE OPTIONS



FIORE DESIGN GROUP

B-190 Pippin Rd, Vaughan, ON L4K 4X9

www.fioredesigngroup.com

CANADA: 905-761-1771

USA: 1-877-526-8246